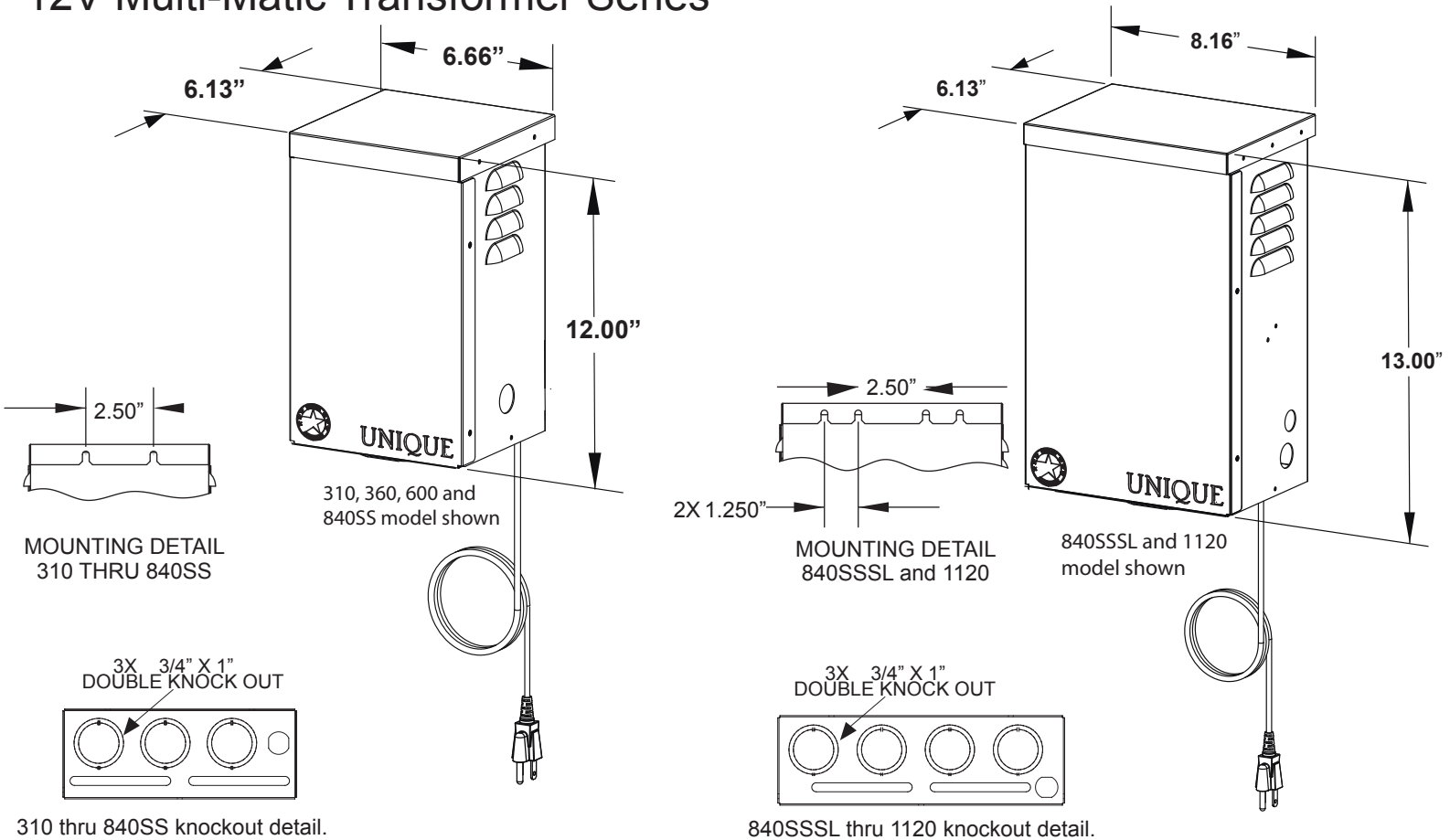


UNIQUE LIGHTING SYSTEMS

12V Multi-Matic Transformer Series



SPECIFICATIONS:

(Specifications subject to change without notice)

Construction: 304 Stainless Steel (Complies with NEMA 3R)

Fuse Type : Replaceable 3AG Time Delay (glass slow blow fuse)

Core: Magnetic Single Core (97 % Efficiency)

Power cord: 16/3 SJTW Power Cord. Six Feet in Length

Instructions, mounting template, .05oz of ox guard grease, 3mm t-handle allen and hardware included.

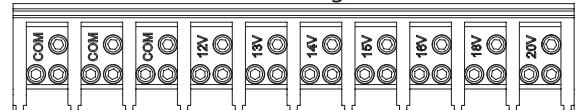
Replaceable Timer, Photocell (SNPC) and Sequencer ready

Go to website for listing details.

Lifetime Warranty***

Output Wattage	Output Leads	120v		208v		240v		277v	
		Max Amps	Fuse Size	Max Amps	Fuse Size	Max Amps	Fuse Size	Max Amps	Fuse Size
310	(12-13v)	2.58	3.00	1.49	2.00	(2) x 1.29	(2) x 1.50	1.11	1.5
360	(12-15v)	3.00	4.00			(2) x 1.50	(2) x 2.00		
500	(12-17v)	4.16	5.00	2.40	3.00	(2) x 2.08	(2) x 2.50		
600	(12-17v)	5.00	6.00			(2) x 2.50	(2) x 3.00		
840	(12-20v)	7.00	8.00			(2) x 3.50	(2) x 4.00		
1120	(12-22v)	9.33	10.00			(2) x 4.66	(2) x 5.00	4.04	5.0

Tinned 6061-T6 aluminum lug with 3mm set screws



840 model shown

*** Go to WWW.UNIQUELIGHTING.COM for details.

Sample part # **360** | **SS** | **SF** | **WB** | **240**

MODEL NAME	TYPE	OPTION # 1	OPTION # 2	OPTION # 3
Transformer Wattage	<input type="checkbox"/> SS Stainless Steel wired secondary	<input type="checkbox"/> SF 25 amp resettable curcuit breaker at each common tap.	<input type="checkbox"/> WB Weather brass finish.	<input type="checkbox"/> 208 208v 60hz primary power.
Output Leads	<input type="checkbox"/> SSSL Stainless Steel secondary lug.			<input type="checkbox"/> 240 240v 60hz primary power.
310 (12-13v)	<input type="checkbox"/> SSHL Stainless Steel homeline 12V only.			<input type="checkbox"/> 277 277v 60hz primary power.
360 (12-15v)				
500 (12-17v)				
600 (12-17v)				
840 (12-20v)				
1120 (12-22v)				

Unique Lighting Systems, All Rights Reserved

1240 Simpson Way, Escondido, CA. 92029. Tel:(800) 955-4831 Fax:(760) 740-0977



UNIQUE LIGHTING SYSTEMS

12V Intelli-Matic Transformer Series

FEATURE	BENEFIT
Transformer cores are impregnated with Elantas insulating varnish.	Virtually eliminates buzzing and humming. Seals the core from weather.
Up to eight different secondary voltage taps.	Allows installer to compensate for voltage drop. Virtually eliminates the need for costly 8 AWG and 10 AWG cable.
Thermister on 600,840 and 1120.	Reduces inrush current during transformer start up.

OPTIONAL ACCESSORIES (Sold Separately)

T = Timer (Paige Electric manual timer with illuminated faceplate)

DT-2 = Digital Timer (Wall mounted 2 outlet digital timer)

SEQUENCER (All-On Module)

SNPN2 = Photocell (Snap in Photocell)

SNPCJ = Jumper (Photocell bypass jumper)

SNPCRM = Remote PC 25' (Snap in Photocell with 25' of cable and a junction box)

INUSESINGLE = In use cover single gang (TayMac water proof outlet cover for single gang box)

INUSEDDOUBLE = In use cover double gang (TayMac water proof outlet cover for double gang box)



Unique Lighting Systems, All Rights Reserved

1240 Simpson Way, Escondido, CA. 92029. Tel:(800) 955-4831 Fax:(760) 740-0977